

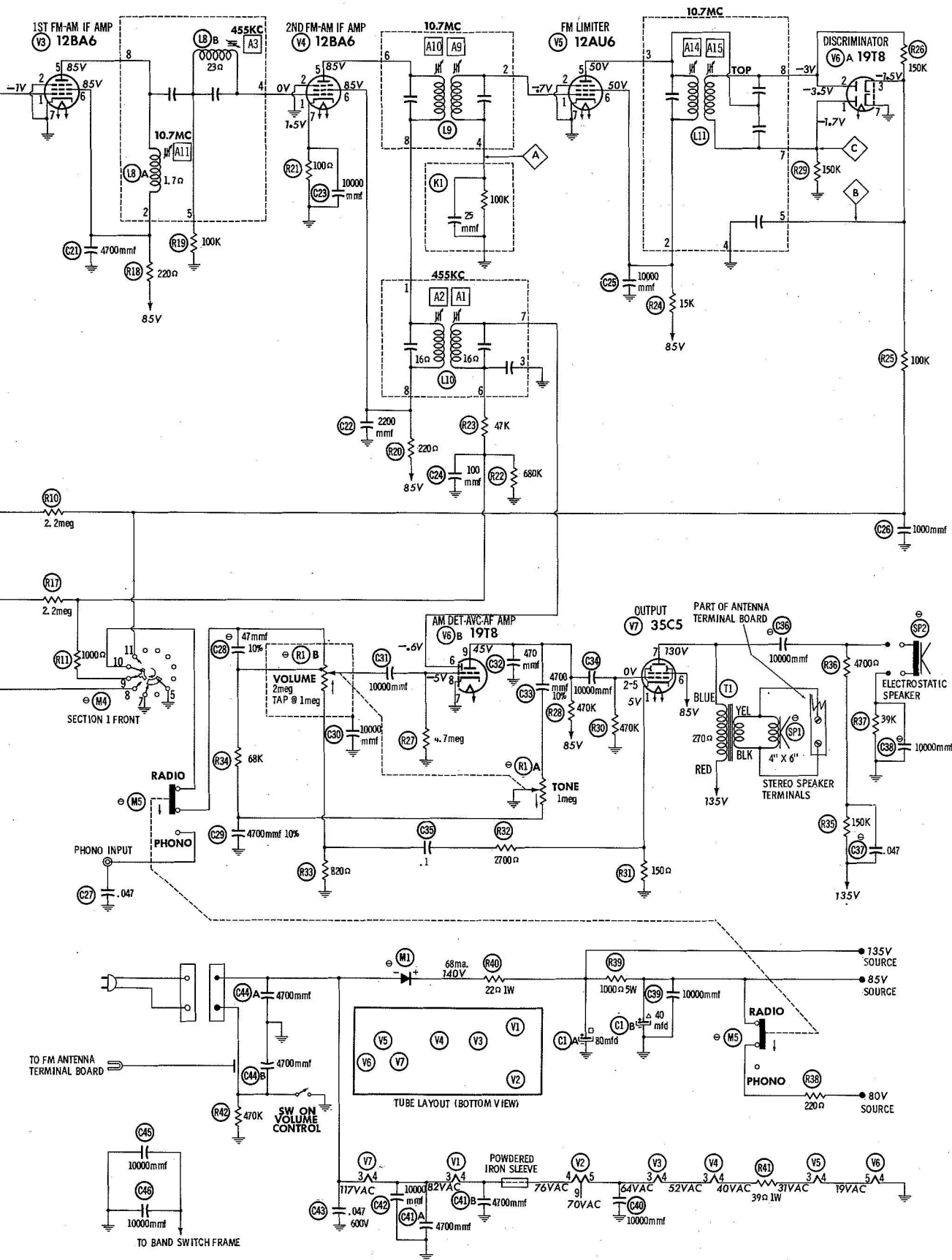
RESISTANCE READINGS

ITEM	TUBE	Pin 1	Pin 2	Pin 3	Pin 4	Pin 5	Pin 6	Pin 7	Pin 8	Pin 9
V1	6BJ6	2.2meg	0Ω	112Ω	106Ω	† 1000Ω	† 1200Ω	0Ω		
V2	12A17	† 1200Ω	0Ω	2200Ω	106Ω	94Ω	† 1200Ω	10K	0Ω	100Ω
V3	12BA6	2.3meg	0Ω	94Ω	82Ω	† 1200Ω	† 1200Ω	0Ω		
V4	12BA6	100K	0Ω	82Ω	70Ω	† 1200Ω	† 1200Ω	100Ω		
V5	12AU6	100K	0Ω	31Ω	19Ω	† 16K	† 16K	0Ω		
V6	19T8	150K	150K	300K	0Ω	19Ω	700K	0Ω	4.7meg	† 470K
V7	35C5	150Ω	470K	147Ω	112Ω	470K	† 1000Ω	† 270Ω		

ALL MEASUREMENTS TAKEN IN "FM" POSITION UNLESS OTHERWISE DESIGNATED.
 † MEASURED FROM OUTPUT OF M1.
 • MEASURED IN "AM" POSITION.
 ■ MEASURED IN "FM-AFC" POSITION.

- DC voltage measurements taken with vacuum tube voltmeter; AC voltages measured at 1000 ohms per volt.
- Socket connections are shown as bottom views.
- Measured values are from socket pin to common negative.
- Nominal tolerance on component values makes possible a variation of ±15% in voltage and resistance readings.
- Volume control at maximum, no signal applied for voltage measurements.

SEE PARTS LIST FOR ALTERNATE VALUE OR APPLICATION
 DC COIL RESISTANCE VALUES UNDER ONE OHM NOT SHOWN ON SCHEMATIC DIAGRAM
 ARROWS ON CONTROLS INDICATE CLOCKWISE ROTATION (CONTROL VIEWED FROM SHAFT END)



ZENITH MODELS C725C, F, L,
C730, E, R (Ch. 7C05, 7C06)